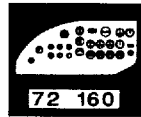
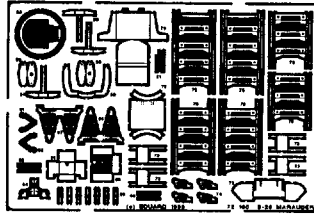
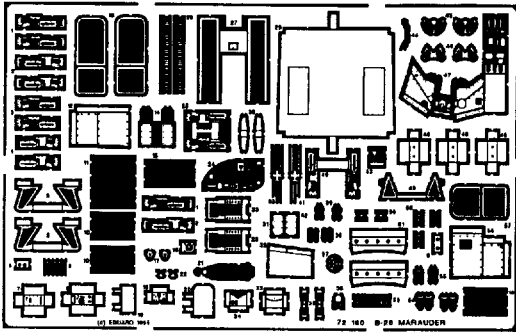









# B-26 MARAUDER

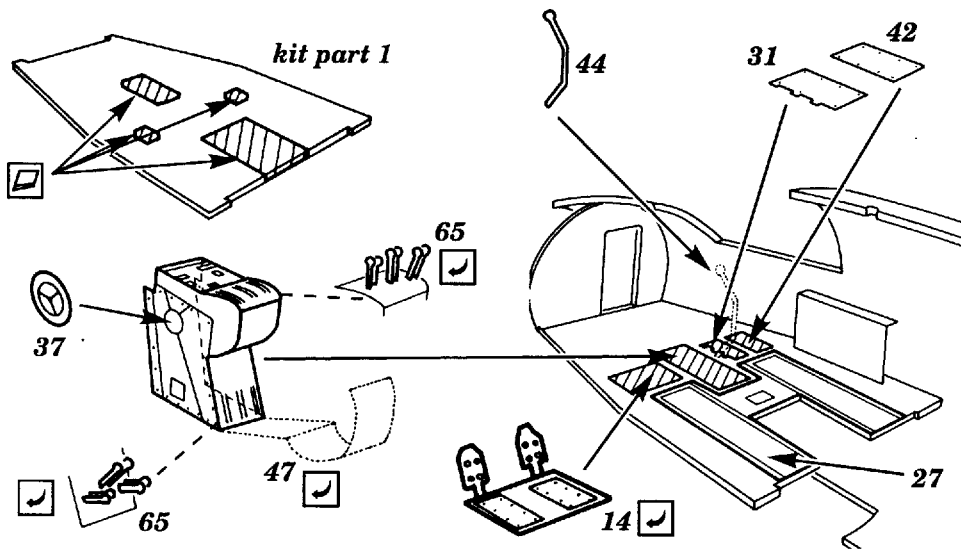
72 160

1/72 scale detail set for AIRFIX kit

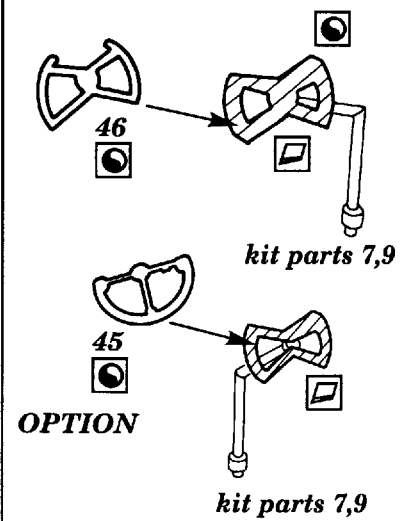


-  OPPOSITE SIDE
-  REMOVE
-  BEND
-  REPLACE
-  GRIND

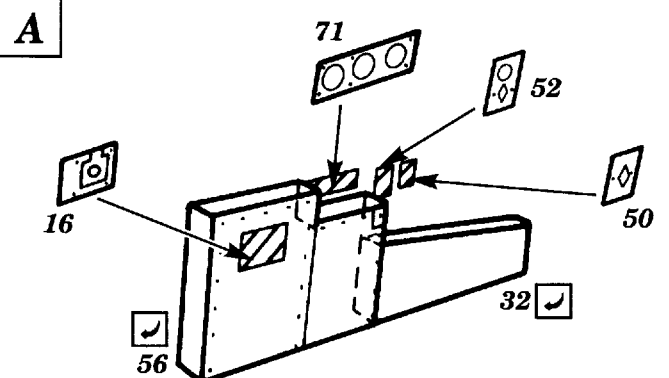
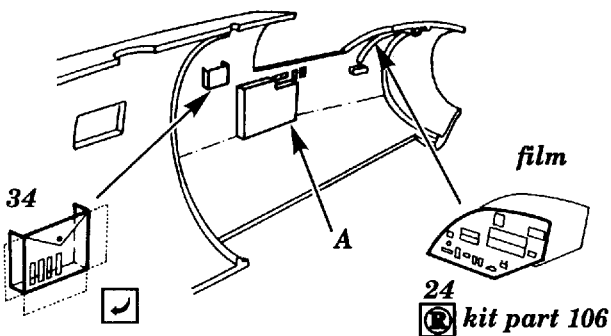
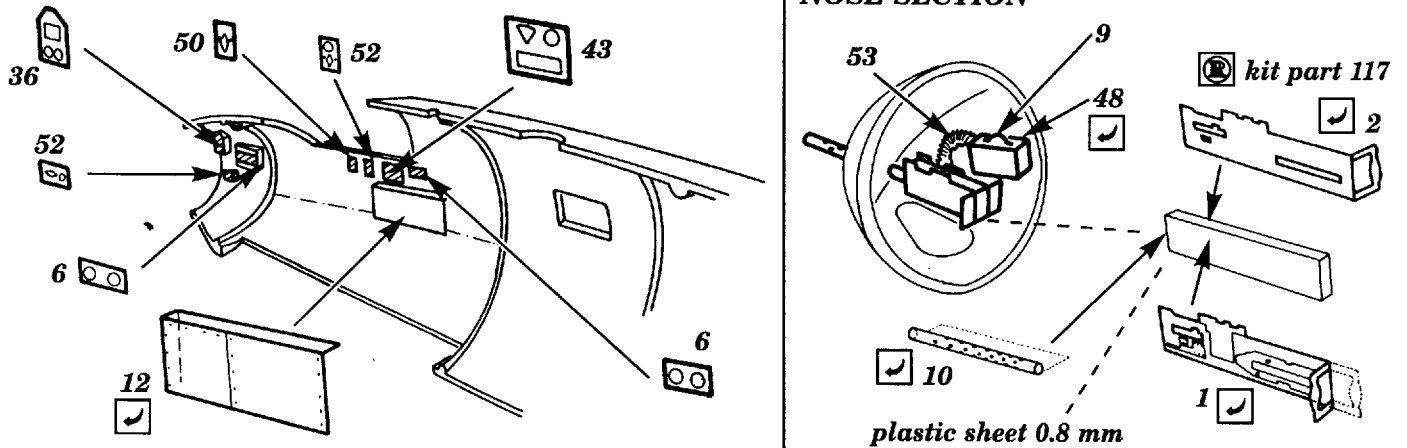
## FLOOR



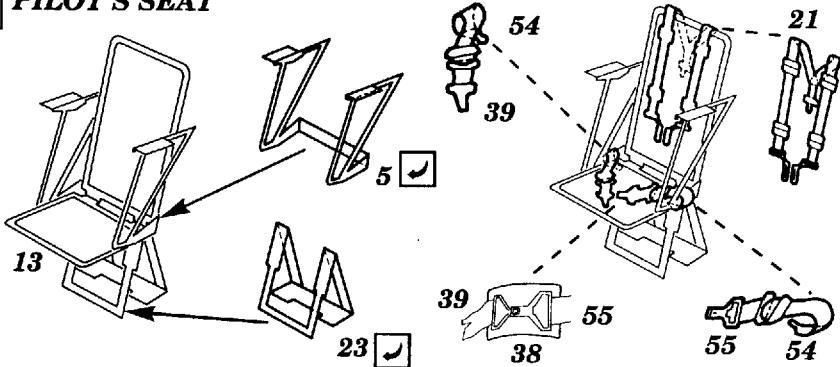
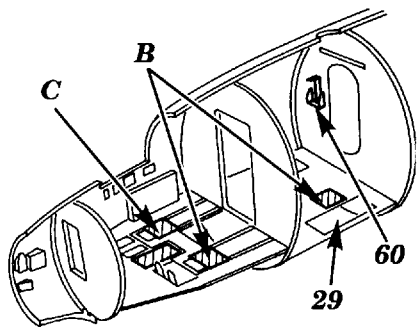
## CONTROL COLUMN



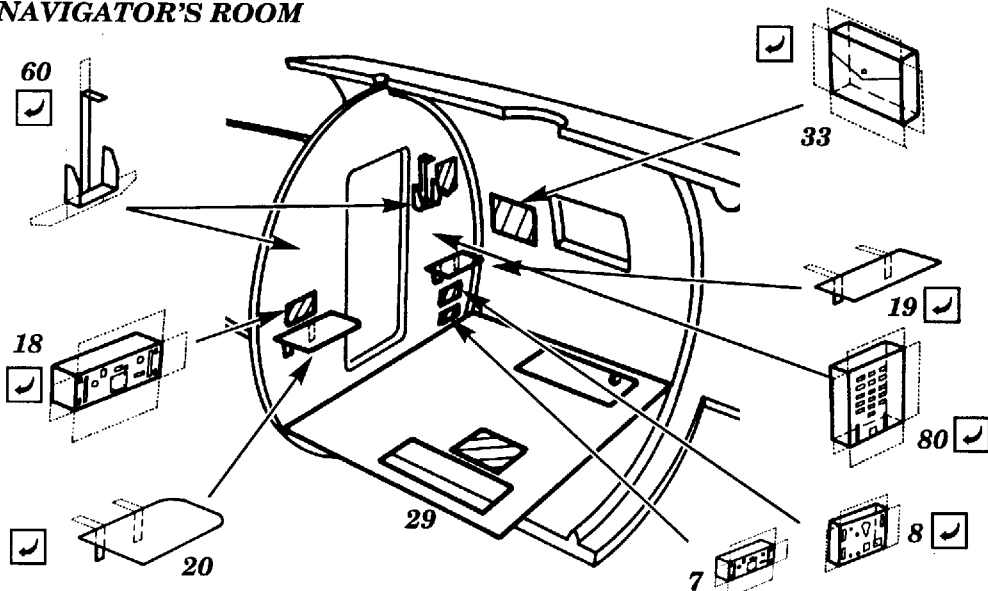
## NOSE SECTION



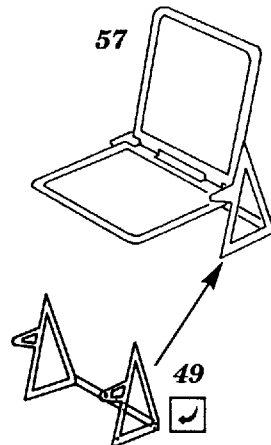
### B PILOT'S SEAT



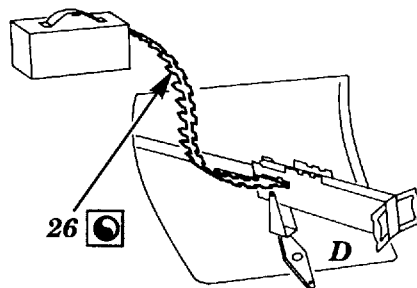
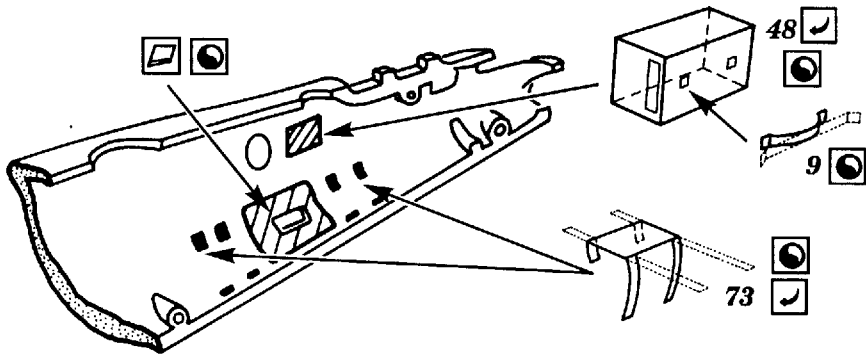
### NAVIGATOR'S ROOM



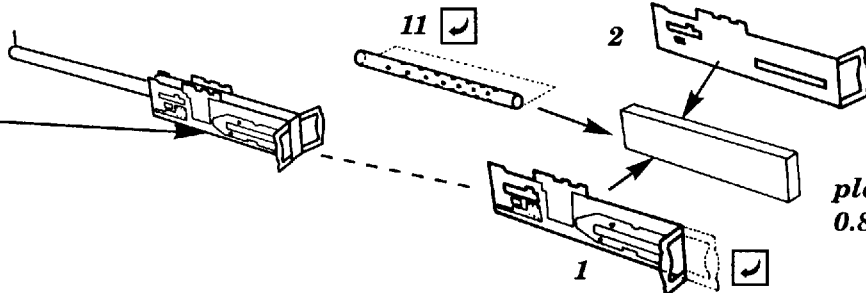
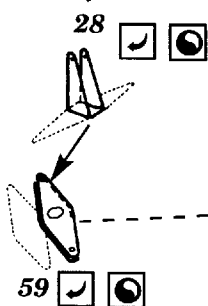
### C COPILOT SEAT



use parts No 38,39,54x2,55 to complete safety belts

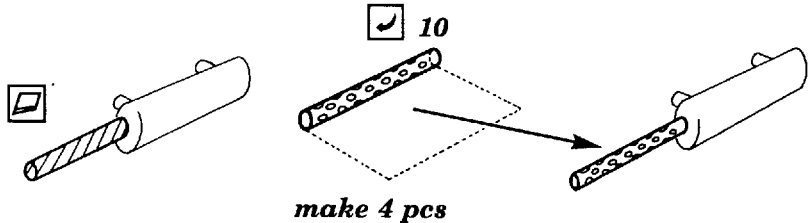


### D

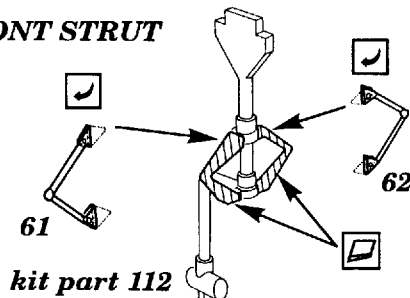


plastic sheet 0.8 mm

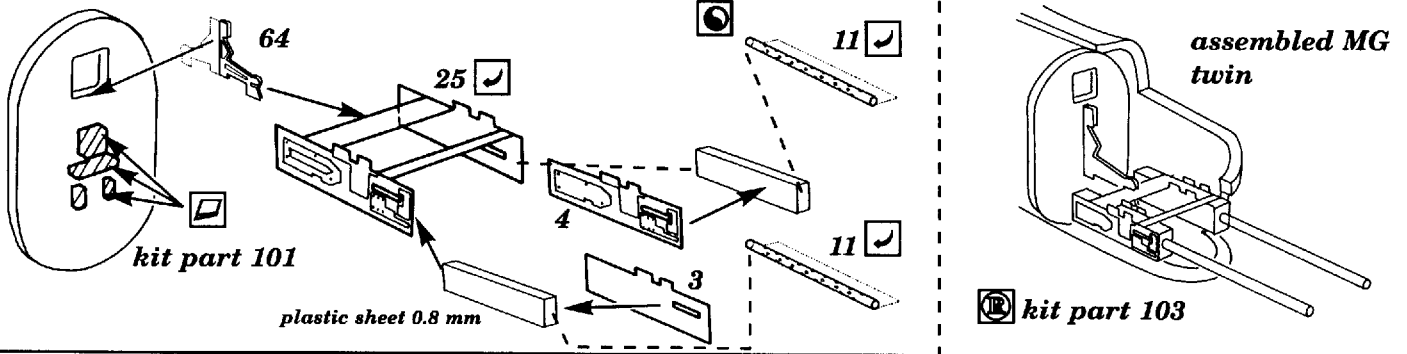
### OUTER SIDE MG'S



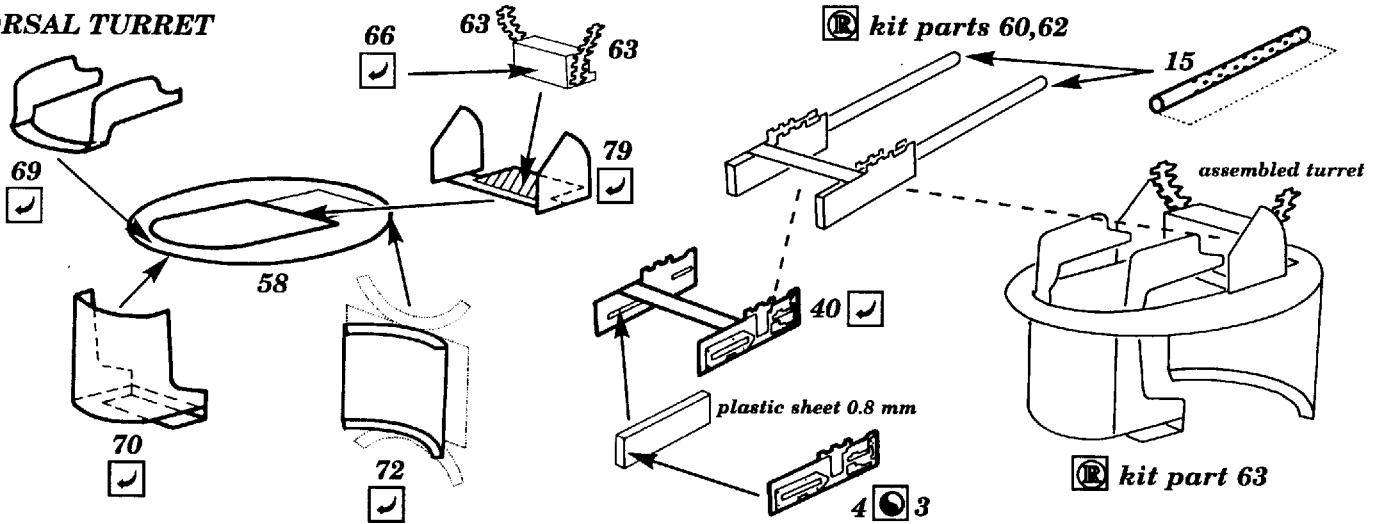
### FRONT STRUT



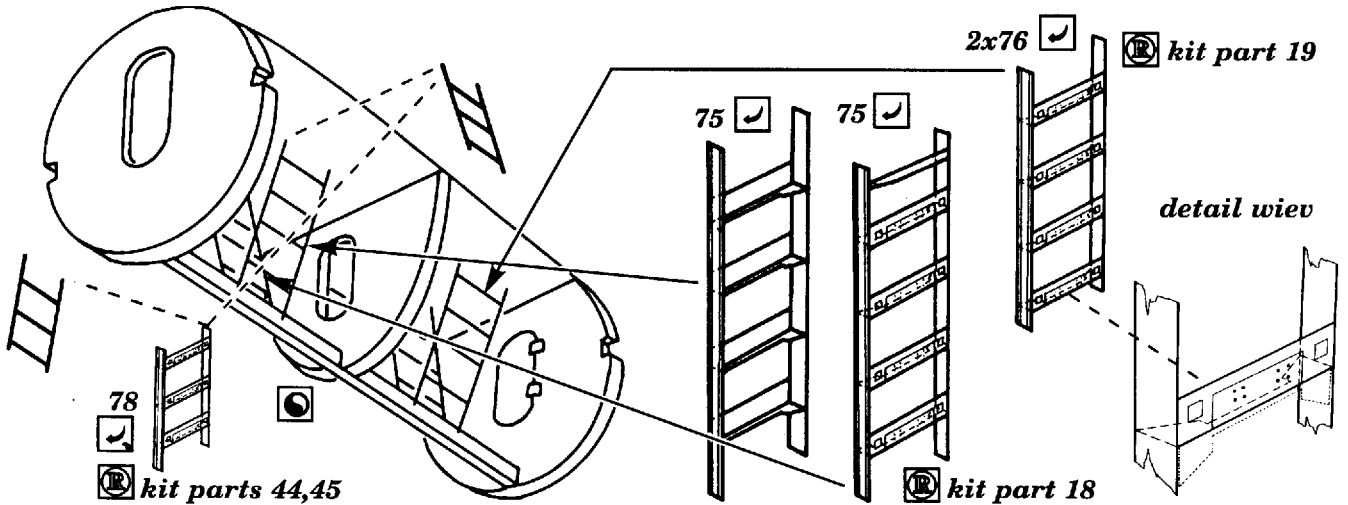
### TAIL GUNNER'S POSITION



### DORSAL TURRET



### BOMB BAY



### MAIN UC

kit parts 65,71

